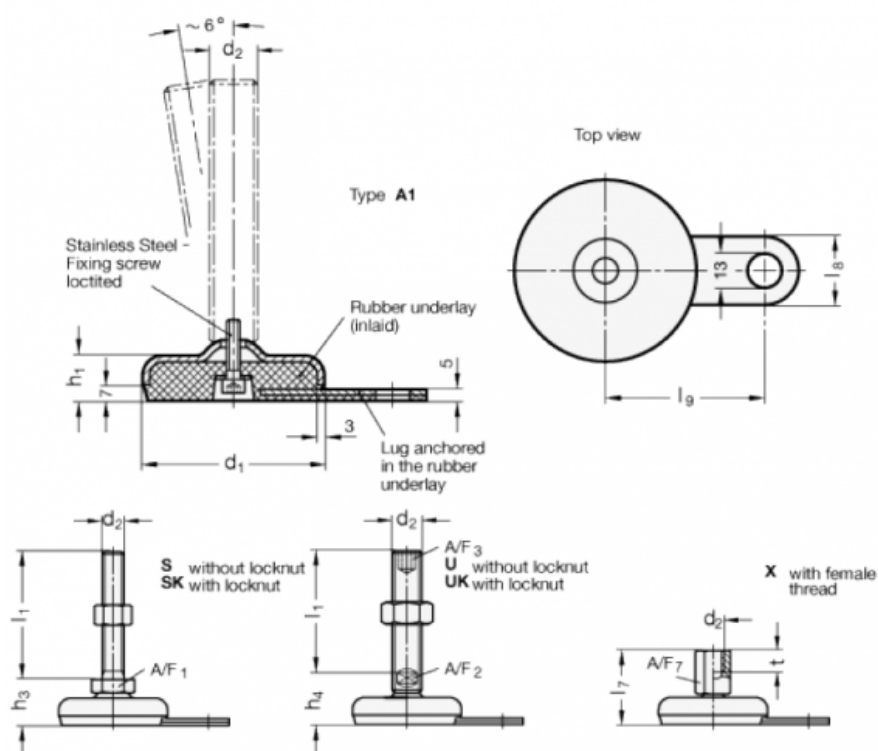


Article number: 203260M840A1S

Description: E+G levelling foot
GN 32-60-M8-40-A1-S

Note: S Without nut, External hexagon at the bottom

Measures



A/F1 = 17

d1 = 60

d2 = M8

h1 = 19

h3 = 27

l1 = 40

l8 = 25

l9 = 50